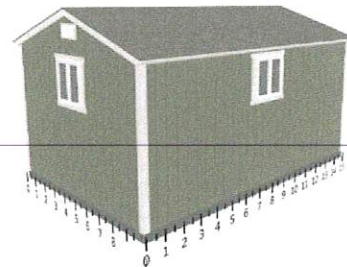
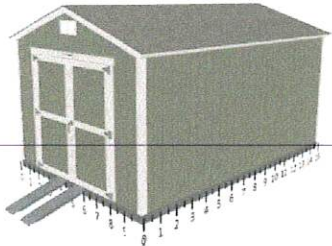


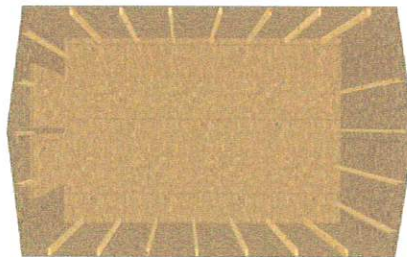


Jeff Brigman
15085 Westover Rd
Elm Grove WI 53122
Q7298301-7285556



Wall D

Wall A



Wall C

Wall B

Base Details/Permit Details

Building Size & Style
TR-700 - 10' wide by 15' long
Paint Selection
Base: Autumn Gray, Trim: Delicate White
Roof Selection
Weathered Gray 3 Tab
Drip Edge
White
Is a permit required for this job?
Yes
Who is pulling the permit?
Tuff Shed

Optional Details

Doors
3' x 6'2" Double Door (6'), Steel Ramp (pair) with Special Sill Nose
Windows
2 2'x2' Insulated Horizontal Sliding Window
Vents
2 Ea 16"x8" Wall Vent - White

Jobsite/Installer Details

Do you plan to insulate this building after Tuff Shed installs it?
No
Is there a power outlet within 100 feet of installation location?
Yes
The building location must be level to properly install the building. How level is the install location?
Within 5"-8" of level
Will there be 18" of unobstructed workspace around the perimeter of all four walls?
Yes
Can the installers park their pickup truck & trailer within approximately 200' of your installation site?
No
Substrate Shed will be installed on?
Grass

DocuSigned by:

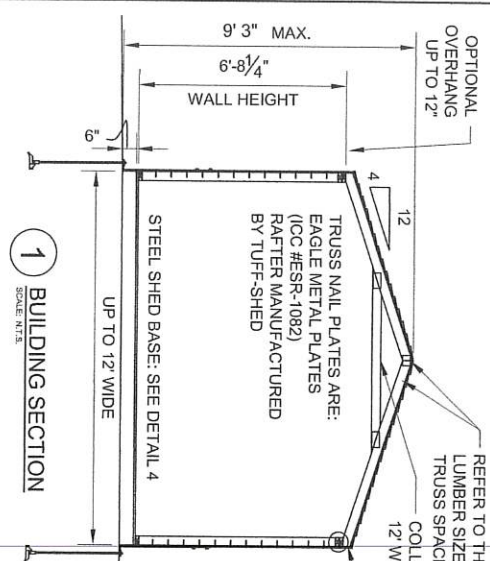
Jeff Brigman

99B1762985F2487...

Customer Signature: _____ Date: 6/13/2023

TR/TRD-700 SHED UP TO 10' WIDE x UP TO 16' LONG SUNDANCE SERIES

*Actual
151*



1 BUILDING SECTION
SCALE: N.T.S.

OPTIONAL OVERHANG UP TO 12"

WALL HEIGHT

TRUSS NAIL PLATES ARE: EAGLE METAL PLATES (ICC #ESR-1082) RAFTER MANUFACTURED BY TUFF-SHED

REFER TO THE TRUSS DESIGN FOR LUMBER SIZE, PLATE SIZE, AND TRUSS SPACING

COLLAR TIE REQUIRED ONLY AT 12" WIDE SHEDS

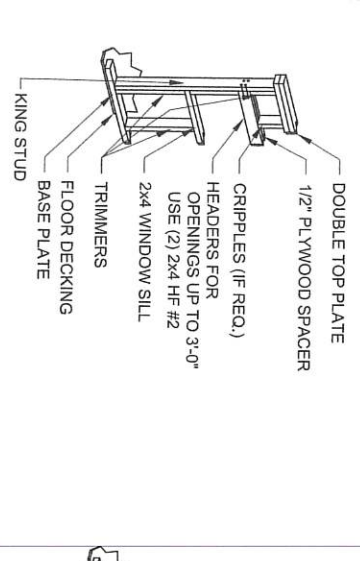
DOUBLE TOP PLATES

WALL FRAMING TO BE 2x4 HF STUD GRADE OR BETTER @ 16" O.C.

EARTH ANCHORS FOR THIS BUILDING ARE OPTIONAL. IF REQUIRED BY YOUR LOCAL MUNICIPALITY, ANCHORS ARE AVAILABLE AT TUFF SHED. SEE SALESPERSON FOR PRICING.

STEEL SHED BASE: SEE DETAIL 4

UP TO 12' WIDE



2A WINDOW HEADER DETAIL FOR LOAD BEARING WALLS
SCALE: N.T.S.

FOR WINDOW OPENINGS UP TO 3'-0" ON SUNDANCE SERIES SIDE WALLS

DOUBLE TOP PLATE

1/2" PLYWOOD SPACER

CRIPPLES (IF REQ.)

HEADERS FOR OPENINGS UP TO 3'-0" USE (2) 2x4 HF #2

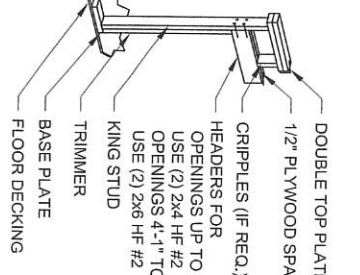
2x4 WINDOW SILL

TRIMMERS

FLOOR DECKING

BASE PLATE

KING STUD



2B DOOR HEADER DETAIL FOR LOAD BEARING WALLS
SCALE: N.T.S.

FOR OPENINGS UP TO 8'-0" ON SUNDANCE SERIES SIDE WALLS

DOUBLE TOP PLATE

1/2" PLYWOOD SPACER

CRIPPLES (IF REQ.)

HEADERS FOR OPENINGS UP TO 4'-0" USE (2) 2x4 HF #2

OPENINGS 4'-1" TO 8'-0" USE (2) 2x6 HF #2

KING STUD

TRIMMER

BASE PLATE

FLOOR DECKING

3 HEADER DETAIL FOR NON-LOAD BEARING WALLS
SCALE: N.T.S.

DOUBLE TOP PLATE

1/2" PLYWOOD SPACER

CRIPPLES (IF REQ.)

HEADERS FOR OPENINGS UP TO 6'-0" USE (2) 2x4 HF #2

OPENINGS 6'-1" TO 8'-0" USE (2) 2x6 HF #2

KING STUD

CRIPPLE STUD

TRIMMER STUD

ATTACH HEADER TO STUD WITH: 4-8d TOENAIL OR 4-16d END NAIL DOUBLED HEADER-16d @ 16" STAGGERED FACE NAIL

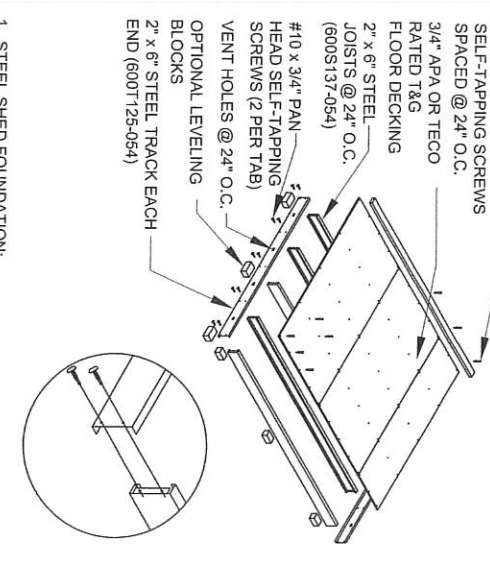
NOTES:

- BUILDING CODE: 2015 IBC AND 2015 IRC
- DESIGN LOADING:
WIND SPEED & EXPOSURE: 115C
ROOF LIVE LOAD: 40 PSF
ROOF DEAD LOAD: 10 PSF
- FOR SHEDS WHICH OTHERWISE MEET THE PRESCRIPTIVE REQUIREMENTS OF THE 2015 IBC AND 2015 IRC ALL SHEDS CONSTRUCTED ACCORDING TO STANDARD CONVENTIONAL CONSTRUCTION METHODS.

MAILING:
ROOF: ATTACH 7/16" OSB SHEATHING TO TRUSSES WITH: 8d NAILS @ 6" O.C. AT EDGES
8d NAILS @ 12" O.C. IN FIELD

WALLS:
ATTACH 3/8" SMARTSIDE TO WALL FRAMING WITH: 8d NAILS @ 6" O.C. AT EDGES
8d NAILS @ 12" O.C. IN FIELD

HEADER:
ATTACH HEADER TO STUD WITH: 4-8d TOENAIL OR 4-16d END NAIL DOUBLED HEADER-16d @ 16" STAGGERED FACE NAIL



4 SHED BASE DETAIL
SCALE: N.T.S.

1. STEEL SHED FOUNDATION:
2" x 6"-16 GAUGE STEEL TRACKS G140 ZINC COATED
2" x 6"-16 GAUGE STEEL JOISTS G140 ZINC COATED @ 24" O.C. (SUPPLIER: ALLIED STUDDO (JOIST: 6000137-054 / TRACK: 6001125-054) / ICC ER-4943P.

2. 3/4" APA OR TECO RATED TONGUE AND GROOVE FLOOR DECKING, 24" MAX PANEL SPAN. STAGGER PANEL LAYOUT. FASTEN FLOOR DECKING TO JOIST & TRACKS USING #8 x 1-5/8" MINIMUM LONG SELF-DRILLING SCREWS @ 12" O.C. NO BLOCKING REQUIRED. ALL EDGES SHALL LIE ON FLOOR JOISTS. STAGGER PANEL LAYOUT PER APA CONDITION 1.

3. FASTEN SOLE PLATE THROUGH FLOOR DECKING INTO JOISTS OR TRACKS WITH #8 x 3" GALVANIZED SELF-DRILLING SCREWS @ 24" O.C.

4. ALLOWABLE FLOOR LIVE LOAD: 75 PSF FOR STEEL JOISTS CONTINUOUSLY SUPPORTED. 50 PSF FOR JOISTS ON BLOCKS AS SHOWN.

5. USE OPTIONAL CONCRETE BLOCKS AS REQUIRED TO LEVEL BUILDING.

6. SUGGESTED SIZES: 2" x 8" x 16", 4" x 8" x 16", OR 8" x 8" x 16". BLOCKS UNDER JOISTS SPACED @ 8'-0" O.C. MAXIMUM. BLOCKS UNDER TRACK SPACED @ 4'-0" O.C. MAXIMUM.

TUFF SHED
Storage Buildings & Garages
TUFF SHED, INC.

Order #: _____
Customer: _____
Site Address: _____
Building Size: $width \times length \times height$ (30' H, 4' SID)

P.O. # _____
Drawn By: SJ
Date: 5/1/17
Checked By: _____
Date: _____
Scale: N.T.S.

THESE DRAWINGS AND THE DESIGN ARE THE PROPERTY OF TUFF SHED, INC. THESE DRAWINGS ARE FOR A BUILDING TO BE SUPPLIED AND BUILT BY TUFF SHED. ANY OTHER USES FORBIDDEN BY TUFF SHED, INC. & THE ENGINEER OF RECORD.

DR. DRAWINGS BY:
TUFF SHED, INC.
IN HOUSE DRAFTING DEPARTMENT
1777 S. HARRISON STREET
DENVER, COLORADO 80210
(303) 753-TUFF

TUFF SHED, INC. ASSUMES ALL RESPONSIBILITY FOR THE CONTENT OF THESE DRAWINGS AND THE CONSTRUCTION OF THE BUILDING SHOWN HEREIN.

TITLE: BUILDING SECTIONS
SHED BASE DETAILS
HEADER FRAMING DETAILS

NOTES - 2015 IBC & IRC - 115C

DRAWING NO. TR/TRD700-01
REV. LEVEL 01
SHEET 1
PAGE 1 OF 1